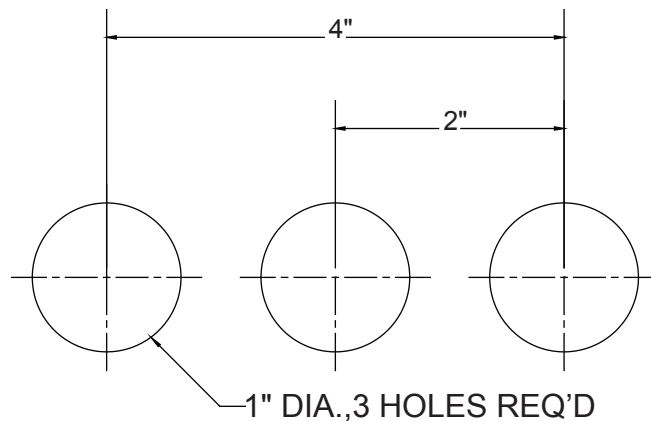


# VALVE & SHOWER HEAD ASSEMBLY

## MODEL NO. 68.600 HW

Installation of this shower valve and spray head requires that 4 (four) 1" diameter holes be drilled into the shower cabinet side wall, three holes are required for mounting the control valve, the remaining hole is for the spray head. See Figure 1 for control valve hole spacing; the spray head can be mounted at any desired height. The shower cabinet side wall can be easily drilled using a power drill and 1" diameter hole saw. All pipe fitting connections require 1/2"-14NPSM threads. Refer to PARTS ILLUSTRATION on back.



**FIG.1**

**NOTE: Do not use pipe dope** or other petroleum based compounds in place of the teflon tape specified, or on any of the shower or faucet components.

### **SHOWER HEAD**

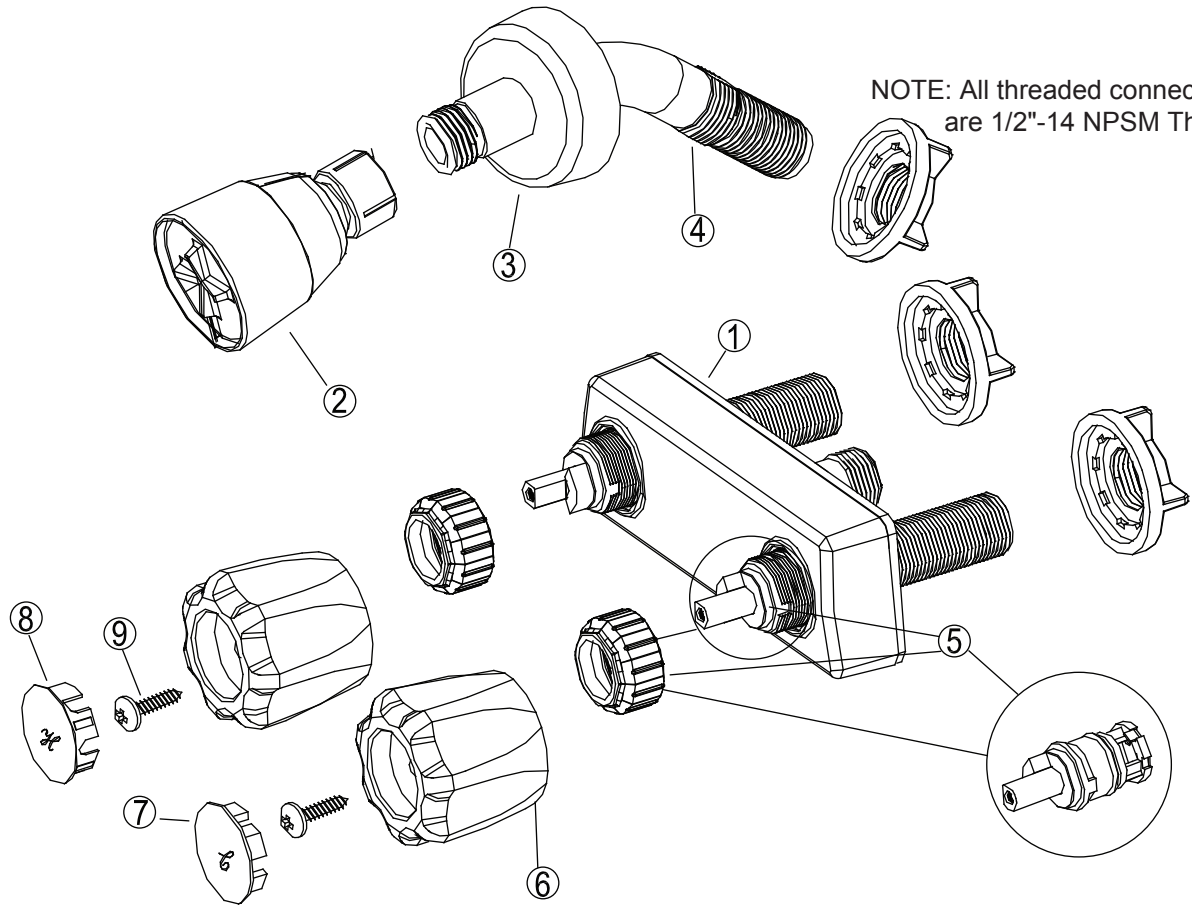
1. Wrap two turns of 1/2" wide teflon tape (obtainable at most hardware/plumbing stores) on the shower arm (3). Wrap the tape in a clockwise direction.
2. Slide the flange nut (4) onto the shower arm (3). **Hand tighten** until a snug fit is obtained.
3. Screw the shower head (2) onto the shower arm/flange nut assembly. **Hand tighten** until a snug fit is obtained.

**NOTE:** The shower head is equipped with a built-in flow restrictor, for water conservation. This will limit the flow of water to 1.8 GPM @80 PSI.

### **CONTROL VALVE**

1. From the inside of the shower cabinet, apply silicone to back of control valve to seal area between control valve and shower cabinet. Insert the threaded shanks of the shower valve through the pre-drilled mounting holes, secure with locknuts. **Hand tighten** until a snug fit is obtained.
2. Wrap two turns of 1/2" wide teflon tape on the three threaded shanks of the shower valve (1). Wrap the tape in a clockwise direction.
3. Make water hook-up and riser connection in full compliance with local code requirements.

# MODEL NO.68.600 HW PARTS ILLUSTRATION



NOTE: All threaded connections are 1/2"-14 NPSM Thread

**Should you have any questions with this shower valve please contact us at:**  
**Homeworks Worldwide,LLC**  
55 Albrecht Drive  
Lake Bluff, IL 60044  
Phone: 877-319-3757

| PARTS LIST |               |  |
|------------|---------------|--|
| Key No.    | Part No.      | Description                            |
| 1          | 04A005W       | Shower Valve Body - 4" Ctrs.           |
| 2          | 09A013W       | Shower head w/Flow Restrictor          |
| 3          | 09A016W       | Flange Nut, Shower Arm                 |
| 4          | 09A017W       | Shower Arm                             |
| 5          | 01z001&03B094 | Compression Stem & Bonnet - 2 Required |
| *6 - 9     | CHA-02        | Handles, Screws & Buttons Kit          |
| 6          | •             | Acrylic Handle-2 Required              |
| 7          | •             | "C" Hole Plug                          |
| 8          | •             | "H" Hole Plug                          |
| 9          | •             | #4x16mm Pan Head Screw - 2 Required    |

\*Items 6 - 9 Not Sold Separately, See Kit



SI-248(01-16)