

99 DURAPAN™ Wash Machine & Water Heater Pan

Protects from Water Damage · Molded Fiberglass · 32" x 30" · Center Drain Design



Water damage can happen quickly...and just as quickly, it can become a very expensive clean-up and repair bill. Fortunately, there is effective "insurance" to protect against water damage from clothes washer or water heater spills and leaks...the Model 99 DURAPAN™ from E.L. Mustee & Sons, Inc.


This high strength, impact-resistant molded fiberglass pan features a 2½" tall curb which holds leaks in check while water drains directly into a 2" cast iron, PVC or ABS (Sch. 40) sanitary waste drain. An IAPMO® Listed drain assembly is included.

Install Model 99 DURAPAN™ protection for your washer & water heater, and buy yourself some invaluable peace-of-mind.

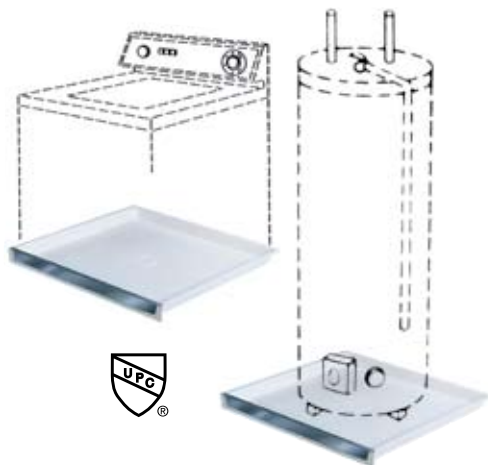
Features:

- Reinforced surface creates additional strength to withstand the weight of a filled washer or water heater.
- Removable stainless steel threshold permits easy washer positioning, placement or leveling.
- Center drain design. Engineered for placement directly over a 2" cast iron, PVC or ABS (Sch. 40) sanitary pipe.
- Can be secured to the sub-floor to prevent movement by washer vibration.
- Prevents washer from marring the floor surface.
- White semi-gloss finish is mold/mildew resistant and easy to clean.
- Installs easily.

Complies with specifications:

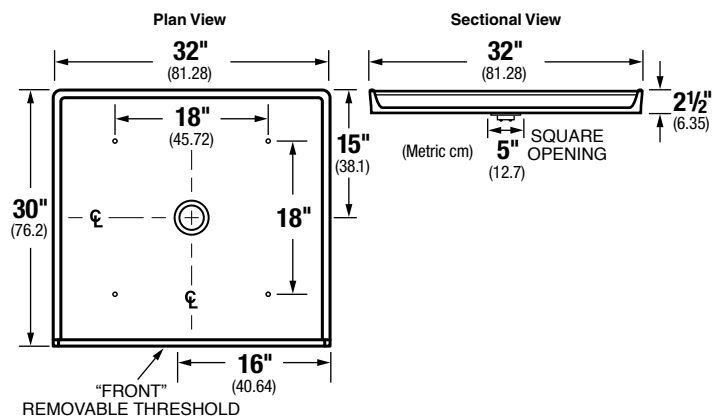
- American Society of Testing & Materials (ASTM) – D 635 Material Flammability, E 84 Flammability and E 162-75 Fire Retardance
- ISO/IEC Approved 17025
- IAPMO® Listed 

Specifications



Model	Drain Position	Overall LxWxH*	Inside LxWxH*
99	Center	30" x 32" x 2½"	28½" x 30" x 2"

*L=Length (left to right); W=Width (front to back); H=Height (from floor surface)



General: Furnish and install as shown on plans DURAPAN™ Wash Machine and Water Heater Pan, Model 99, as manufactured by E.L. Mustee & Sons, Inc. One-piece compression molded fiberglass using matched metal molds under extreme heat and pressure. Shoulder will be no less than 2½" high. Removable aluminum threshold with water tight seal secured by stainless steel screws. May be secured to sub-floor; mounting hardware provided. Shall include drain assembly for connection to 2" CI, PVC or ABS (Sch. 40) sanitary waste pipe. Color: White.

To reorder, specify ADV-492

Notice: Our continuous commitment to product improvement may result in changes to product specifications without notice. Patented and patents pending. ADI/9-09/NM. Made and Printed in U.S.A.