

VALVE & SHOWER HEAD ASSEMBLY

MODEL NO. 68.600 HW

Installation of this shower valve and spray head requires that 4 (four) 1" diameter holes be drilled into the shower cabinet side wall, three holes are required for mounting the control valve, the remaining hole is for the spray head. See Figure 1 for control valve hole spacing; the spray head can be mounted at any desired height. The shower cabinet side wall can be easily drilled using a power drill and 1" diameter hole saw. All pipe fitting connections require 1/2"-14NPSM threads. Refer to PARTS ILLUSTRATION on back.

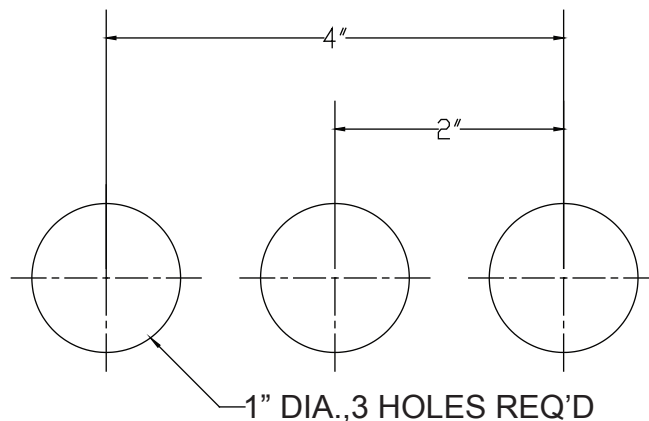


FIG.1

NOTE: Do not use pipe dope or other petroleum based compounds in place of the teflon tape specified, or on any of the shower or faucet components.

SHOWER HEAD

1. The shower head is equipped with a built-in flow restrictor, for water conservation. This will limit the flow of water to 2.0 GPM@80 PSI.
2. Wrap two turn of 1/2" wide teflon tape (obtainable at most hardware/plumbing stores) on the shower arm.
(3)Wrap the tape in a clockwise direction.
3. Slide the flange nut (4) onto the shower arm.(3) **Hand tighten** until a snug fit is obtained.
4. Screw the shower head (2)onto the shower arm/flange nut assembly. **Hand tighten** until a snug fit is obtained.

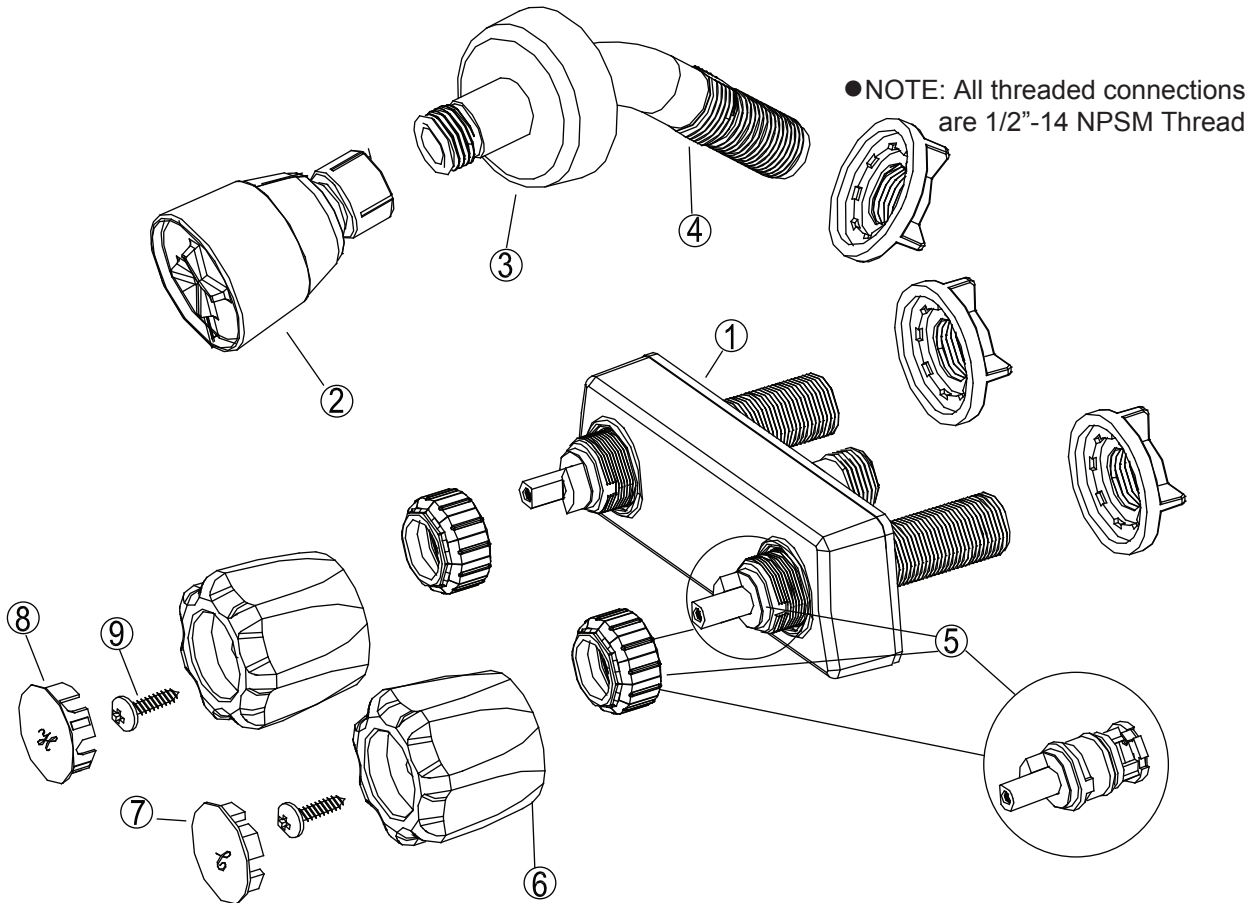
CONTROL VALVE

1. Wrap two turns of 1/2" wide teflon tape on the three threaded shanks of the control valve(1).Wrap the tape in a clockwise direction.
2. From the inside of the shower cabinet, insert the threaded shanks of the control valve through the pre-drilled mounting holes, secure on outside with locknuts. **Hand tighten** until a snug fit is obtained.

Make water hook-up and riser connection in full compliance with local code requirements.

MODEL NO.68.600 HW

PARTS ILLUSTRATION



Should you have any questions with this shower valve please contact us at:

Homeworks Worldwide,LLC

500 Bond Street
Lincolnshire, IL 60069
Phone: 244-543-1500

PARTS LIST

Key No.	Part No.	Description
1	04A005W	Control Valve Body -4" Ctrs.
2	09A013W	Shower head w/Flow Restrictor
3	09A016W	Flange Nut, Shower Arm
4	09A017W	Shower Arm
5	01z001&03B094	Compression Stem & Bonnet - 2 Required
*6 - 9	CHA-02	Handles, Screws & Buttons Kit
6	●	Acrylic Handle-2 Required
7	●	"C" Hole Plug
8	●	"H" Hole Plug
9	●	#4×16mm Pan Head Screw - 2 Required

*Items 6 - 9 Not Sold Separately, See Kit