



MUSTEE
Preferred by the "Pros"

Wall-Mount, Rectangular Fold-Down Leg Supported Seat Model 309.411 – 26" Long & 309.412 – 32" Long



Design features:

- White rectangular cushion seat filled with high-resilience, high-density foam to maintain original shape.
- Smooth cushion edges without corded piping – eliminates discomfort for pressure-sensitive bathers.
- Fire and mildew resistant.
- When properly installed, wall-mount leg supported units can support up to 500 lbs.
- Rust-resistant stainless steel hardware.
- Easy to install and clean – cushion surface is stain resistant.

Code Accepted

CareGiver Fold Down wall-mount and leg supported shower seats meet or exceed performance requirements:

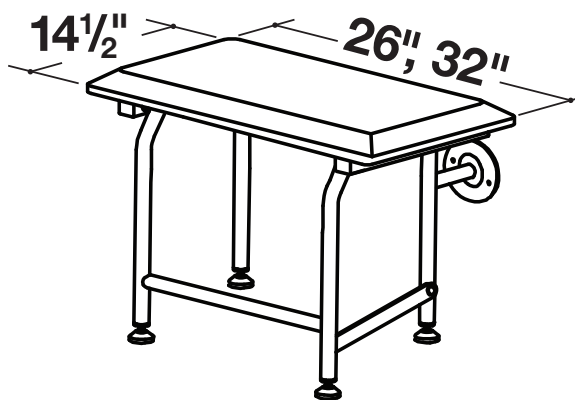
- American's with Disabilities Act (ADA)
- American National Standards Institute (ANSI) Specification: A117.16

Specifications:

Model No.	Length	Color	UPC
390.411	26"	White	6 71031 00450 5
390.412	32"	White	6 71031 00451 2

Model No.	Length	Width
390.411	26"	14½"
390.412	32"	14½"

General: Furnish and install as shown on plans, Rectangular Fold-down Wall Mounted Shower Seat model _____ (390.411, 390.412), _____" long, as provided by E.L. Mustee & Sons, Inc. Shower seat tubing shall be one-inch diameter, 19 gauge, type 304 stainless steel with #4 satin finish. Shall include a fold-down mechanism with four support legs. Mounting brackets shall be 12-gauge type 304 stainless steel. Padded vinyl cushion shall have 1-½" high density, Naugahyde. White cushion shall have no external piping. Shower seat unit shall comply with applicable building codes. Meets ANSI A117.1.



MUSTEE

E.L. Mustee & Sons, Inc. • 5431 West 164th Street • Brook Park, OH 44142 • Phone: 216.267.3100 • Fax: 216.267.9997
E-mail: info@mustee.com • Web: www.mustee.com • Proudly made in the USA

Notice: Our continuous commitment to product improvement may result in changes to product specifications without notice. Patents pending. Made and Printed in U.S.A.