



**SEE PAGE 2 FOR A LIST OF ACCESSORIES! ▶**



**Design features:**

- Produced from high-grade, reinforced, molded fiberglass for optimum strength and impact resistance using matched metal molds under heat and pressure.
- Ideal for new or remodel projects...fits all Topaz™ Fiberglass Bathtubs, as well as standard 30" x 60" bathtubs of other manufacturers.
- Includes a large, molded-in, self-draining shelf ideal for shampoo, soap, etc.
- Three panel wall system with tongue-and-groove seams that assemble quickly to create a watertight wall surround
- Mounts direct-to-stud with mounting flanges hidden behind drywall or other wall treatment.
- Available in white, bone or biscuit.
- Smooth, colorfast semi-gloss finish, resists scuffs.
- Mold and mildew-resistant...easy to clean

**Code Accepted**

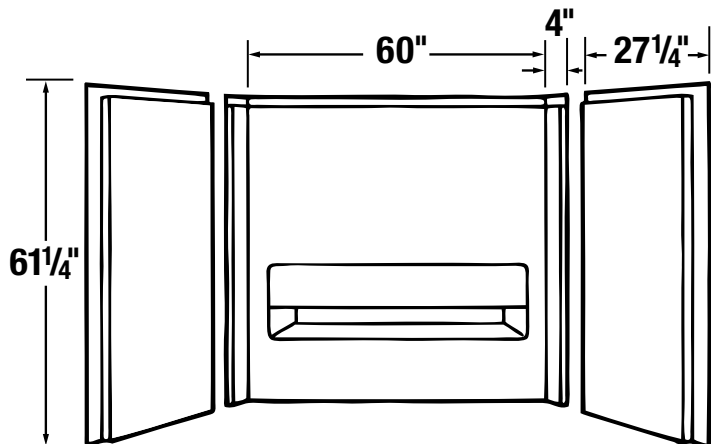
- American Society of Testing and Materials (ASTM) – D635, E-84 and E-162
- American National Standards Institute (ANSI) - Specification ANSI Z 124-2011
- Inhalation Toxicity Test – to evaluate inhalation health hazard with combustible products.
- CAN/ULC S102-07 Burn and Smoke Test



**Specifications**

Model	Color	Fits Alcove	UPC
660WHT	White	30" x 60"	6 71031 00332 4
660BN	Bone	30" x 60"	6 71031 00333 1
660BT	Biscuit	30" x 60"	6 71031 00372 0

**General:** Furnish and install as shown on plans, 660 TOPAZ® bathtub walls as manufactured by E.L. Mustee & Sons, Inc. Shall be semi-gloss, three-piece wall. Panels are molded fiberglass using matched metal molds under extreme heat and pressure with a uniform thickness of 125 mils and mount direct-to-studwalls. Includes center panel with molded-in shelf and two side panels. Self-aligning panels interlock using a tongue-and-groove connection. Shall meet ANSI Specification Z 124-2011. Color: \_\_\_\_\_ (White, Bone, Biscuit). Install in compliance with local codes.





▶ **TOPAZ™ Premium Fiberglass Bathtubs, 30"x 60"**

Elegance, classic design, quality craftsmanship, deep colorfast finish...everything you're looking for in a premium soaking bathtub can be summed up in one word...TOPAZ™. These high quality bathtubs fit all Mustee bathtub wall systems and 30" x 60" standard bathtub walls.



Model No.	Color	Drain Location	UPC
T6030R	White	RH	6 71031 00413 0
T6030RBN	Bone	RH	6 71031 00414 7
T6030RBT	Biscuit	RH	6 71031 00432 1
T6030L	White	LH	6 71031 00411 6
T6030LBN	Bone	LH	6 71031 00414 7
T6030LBT	Biscuit	LH	6 71031 00432 1

▶ **CareGiver® Grab Bars— 1-1/2" Dia. Straight**

A wide range of 304 stainless steel grab bars in all popular styles, lengths and sizes are available to provide support and stability.



Model No.	Size	UPC
390.305	18"	6 71031 00452 9
390.301	24"	6 71031 00359 1
390.306	36"	6 71031 00434 5
390.307	42"	6 71031 00435 2
390.302	48"	6 71031 00360 7

