

FAX NO.
(904) 641-1697

Coastal Industries Inc.

P.O BOX 16091
JACKSONVILLE FLORIDA 32245

TELEPHONE NO.
(904) 642-3970

TRIDENT (Residential Series)

ADJUSTABLE PIVOT SHOWER DOOR
INSTALLATION INSTRUCTIONS

TOOLS NEEDED

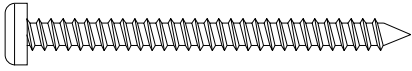
LEVEL	ELECTRIC DRILL	MEASURING TAPE
HACKSAW	3/16" MASONRY DRILL BIT	7/16" OPEN END WRENCH
HAMMER	SAFETY GLASSES	CLEAR CAULKING OR SEALANT
CENTER PUNCH	PHILLIPS SCREW DRIVER	(MILDEW RESISTANT)
MASKING TAPE	PENCIL / FELT TIP PEN	

PARTS LIST

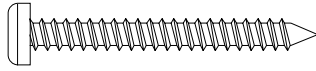
KEY LETTER	PART NUMBER	DESCRIPTION	QUANTITY
A	310	SILL	1
B	148	STRIKE JAMB.....	1
C	----	DOOR ASSEMBLY.....	1
D	30	PIVOT JAMB.....	1
E	796	PIVOT PLATES.....	2
F	1329	PLASTIC SCREW ANCHOR	6
G	1428N	HEX NUTS (INSTALLED).....	2
H	1428W	WASHERS (INSTALLED).....	2
J	1428B	DOOR T-BOLT SCREWS (INSTALLED).....	2
K	18712A	TOP & BOTTOM PIVOT BUSHING	2
L	834F	PIVOT PLATE SCREWS.....	6
M	98-42	MAGNET STRIP	1
N	147	EXPANDER JAMB	1
P	82P	PIVOT JAMB INSTALLATION SCREWS.....	3
Q	638PHPT	STRIKE JAMB ADJUSTMENT SCREWS	3
R	C171G	DOOR VINYL SWEEP	1
S	8112	EXPANDER JAMB INSTL SCREWS.....	3

Unit Installation Screws

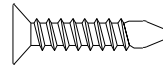
(shown full size as reference)



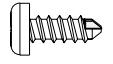
(P)_82p
PIVOT JAMB INSTL SCREWS



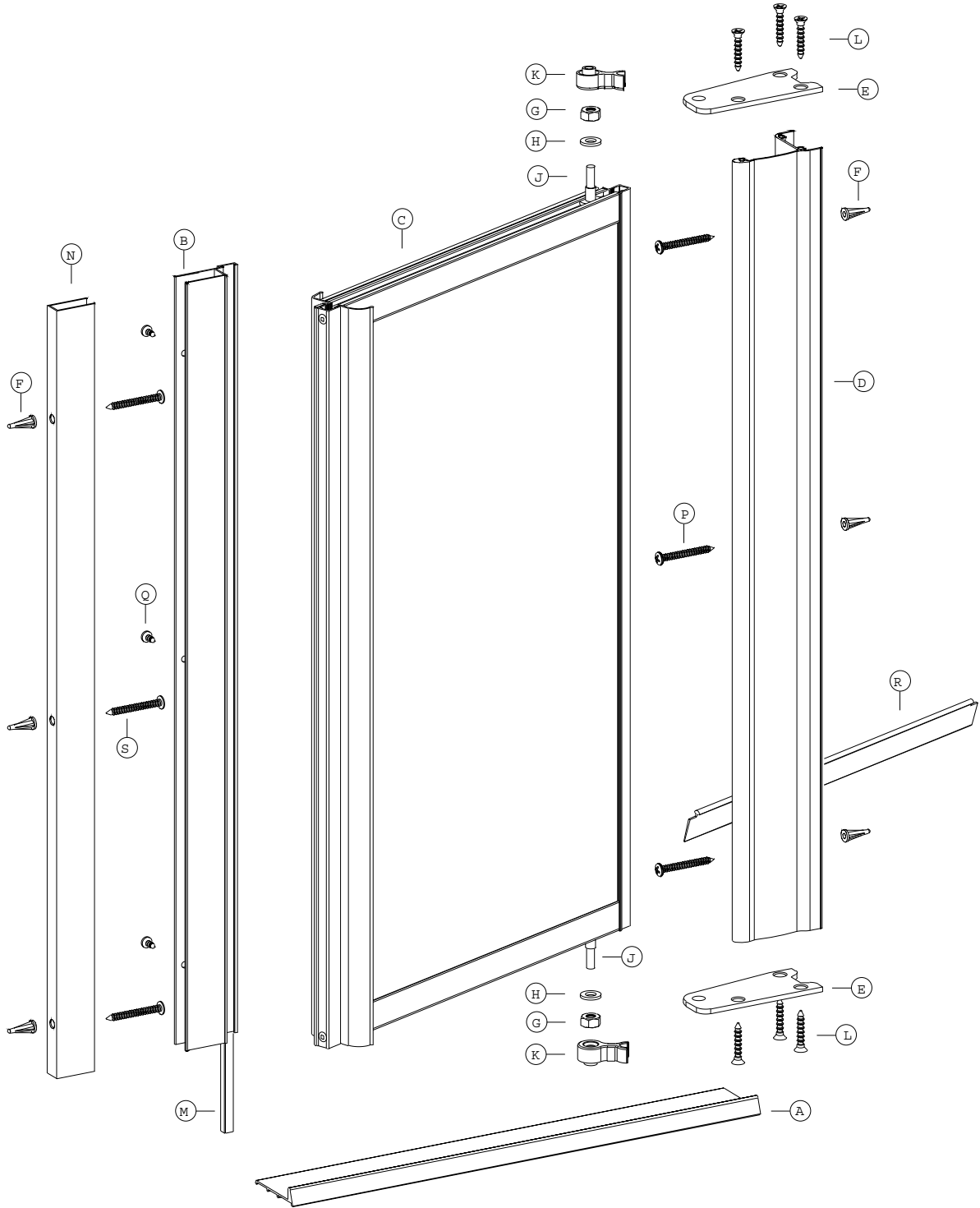
(S)_8112
EXPANDER JAMB INSTL SCREWS



(L)_834F PIVOT PLATE
SCREWS (installed)



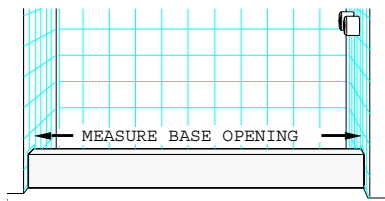
(Q)_638PHPT
ADJUSTME



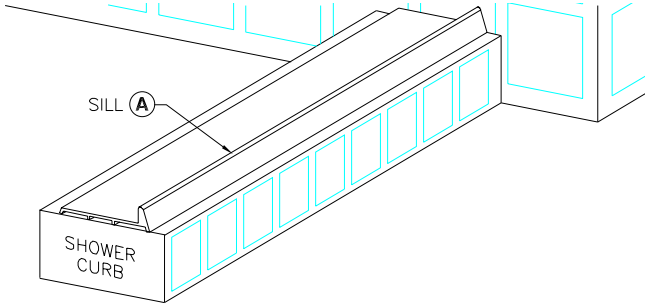
TRIDENT (Residential Series)
(EXPLODED VIEW - OUTSIDE OF UNIT LOOKING IN)
(RIGHT HAND PIVOT SHOWN)

1 Measure base opening & trim Sill

Measure the base opening along the lead edge of the shower curb as shown. Using a hacksaw . . . trim Sill (A) to the measurement obtained.

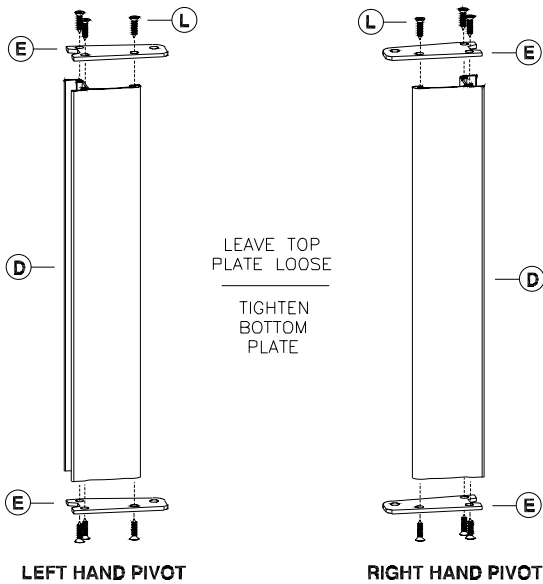


2 Caulk and position Sill on curb



Turn Sill over and apply a bead of caulking the full length of its underside. With high lip to the exterior, position Sill (A) at center of shower curb as shown. Temporarily tape Sill to shower curb to prevent movement.

3 Determine direction of door swing desired

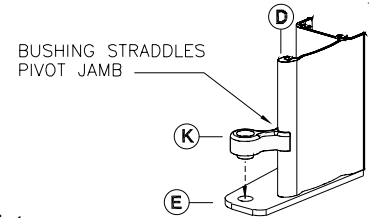


On this model, Pivot Plates (E) and Pivot Plate Screws (L) come pre-assemble to Pivot Jamb (D).

Decide which way you want the door to swing (left or right hand pivot, your choice). Once door swing has been determined, firmly tighten bottom plate screws, leaving top plate screws loose.

4 Install Pivot Bushings

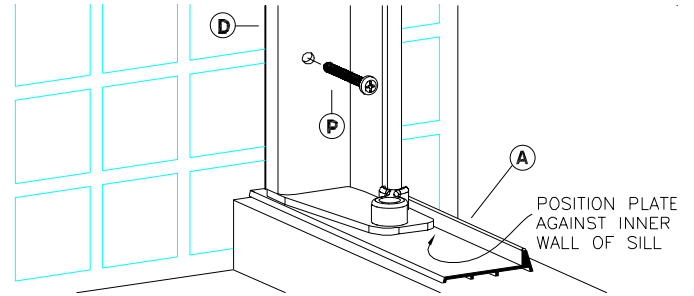
Insert the bottom Pivot Bushing (K) into bottom Pivot Plate (E) as shown in figure. Make sure that "Y" portion of pivot bushing is straddling the Pivot Jamb (D).



Insert the top Pivot Bushing (K) into the top Pivot Plate (E) as shown in the exploded view, front sht.

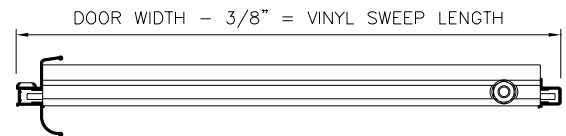
5 Install Pivot Jamb

Position Pivot Jamb (D) on top of Sill (A) and up against the wall



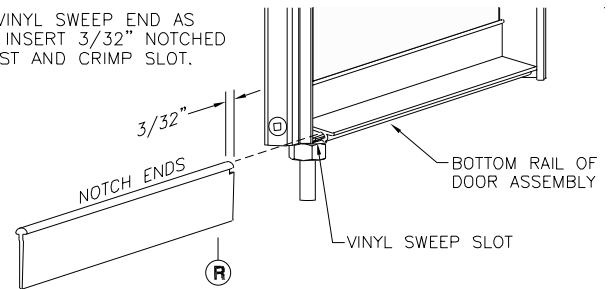
from which you wish the door to swing. Make sure Pivot Jamb sits squarely on the Sill and against the Sill's inner wall as shown. Use a level to plumb the Pivot Jamb, then make a pencil mark on the shower wall thru each of the three(3) installation holes. Remove the Pivot Jamb and lightly center punch the installation hole locations. Drill 1" deep installation holes in the locations previously marked. Use a 3/16" masonry bit when drilling thru ceramic tile, marble or any masonry type surface. Insert Plastic Screw Anchors (F). Reposition and attach Pivot Jamb to wall with three(3) Pivot Jamb Installation Screws (P)

6 Install Vinyl Sweep



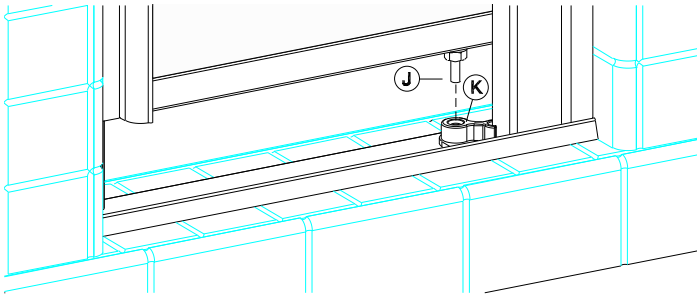
Measure the Door Assembly width, then trim the Vinyl Sweep to 3/8" less than measurement obtained (see figure above).

NOTCH VINYL SWEEP END AS SHOWN, INSERT 3/32" NOTCHED END FIRST AND CRIMP SLOT.



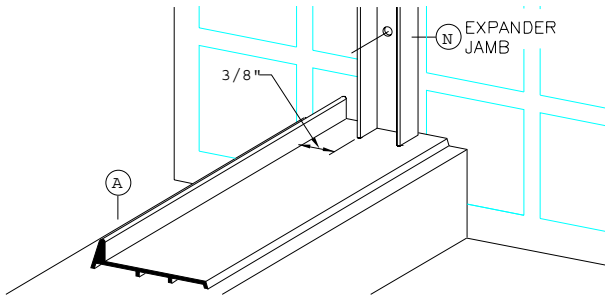
Notch end of Sweep Vinyl as shown. Determine bottom of Door Assembly and insert Vinyl Sweep into bottom rail. Insert 3/32" notched end first.

7 Install Door Assembly



Before proceeding, take a minute to loosen the Door Assembly's top and bottom Hex Nut (G), making sure they are only finger tight. Set door in position by placing bottom T-Bolt (J) into bottom Pivot Bushing (K). Make sure that magnet side of door is facing the inside of enclosure. Lift top Pivot Plate (E) and insert top T-Bolt (J) into the top Pivot bushing (F). Tighten the top Pivot Plate Screws (L).

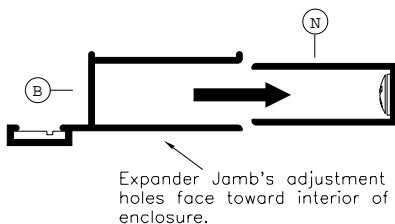
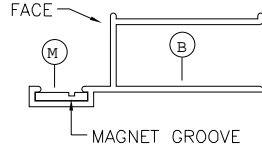
8 Install Expander Jamb



Position Expander Jamb (N) 3/8" from wall of Sill (A) and up against the shower wall as shown in figure. Use a level to plumb the Jamb, then make a pencil mark on the shower wall thru each of the three(3) installation holes. Remove the Jamb and lightly center punch the installation hole locations. Drill 1" deep installation holes in the locations previously marked. Use a 3/16" masonry bit when drilling thru ceramic tile, marble or any masonry type surface. Insert Plastic Screw Anchors (F). Reposition and attach Expander Jamb to wall with three(3) Expander Jamb Installation Screws (S).

9 Insert Magnet & install Strike Jamb

Before installing Strike Jamb (B), insert Magnet Strip (M) into the Strike Jamb's magnet receiver as shown. Magnet groove must be positioned as shown in order for door to close properly.



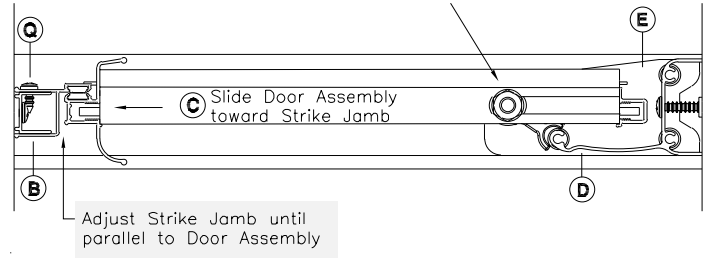
With adjustment slots toward interior, slide Strike Jamb (B) over Expander Jamb (N) as far as it will go.

Expander Jamb's adjustment holes face toward interior of enclosure.

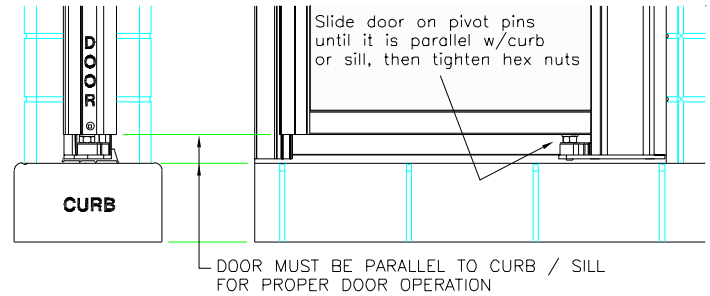
9 (continued)

Close Door Assembly (C) and slide it toward Strike Jamb (B) as shown below. Next, adjust the Strike Jamb (B) until it is parallel to the Door Assembly strike edge as shown. Do not secure at this time.

- Slide door along pivot pins to:
- Adjust door width when required
 - Obtain parallel alignment between bottom of door assembly and sill



10 Check Door alignment & lock in Place



Next, check to see that bottom of Door Assembly is parallel to the Sill. The Door Assembly is parallel to the sill if both bottom corners of the door are the same distance above the sill. If this is not the case, slide Door Assembly along either top or bottom pivot pins until a parallel measurement is obtained. When satisfied, tighten both top and bottom Hex Nuts (G) using a 7/16" open end wrench. Recheck to see that Strike Jamb (B) is still parallel to the Door Assembly (see figure 9), when satisfied, secure Strike Jamb (B) to Expander Jamb (N) with three(3) Strike Jamb Adjustment Screws (Q).

11 Leak Proof Installation

To insure a leak proof installation . . . Run a bead of clear mildew resistant caulking down the full length of each Wall Jamb **outside** where the Wall Jambs meet the walls. Now run a bead **outside** where the sill meets the curb. Follow caulking manufacturer's instructions before using shower (normally 24 hours). Installation is now complete.