



670 TOPAZ™ Premium Fiberglass Bathtub Wall

Fits Most 5 ft. Bathtubs



670 TOPAZ™ wall system mounted on a TOPAZ™ bathtub.

With exceptional features and unique tiled pattern, the premium molded fiberglass Mustee 670 TOPAZ™ will give you all the upscale appearance and high quality you desire in a bathtub wall system. Besides being the perfect complement to Mustee's premium fiberglass TOPAZ™ bathtubs, the Model 670 fits most other bathtubs as well.

Mustee 670 TOPAZ™ Premium Fiberglass Bathtub walls are the perfect, impressive finishing touch to any 30" x 60" bathtub installation!

Features

- Contemporary styling for standard 30" x 60" bathtub installation
- Embossed tile pattern, includes two molded-in, self-draining shelves ideal for shampoo, soap, etc.
- Produced from reinforced molded fiberglass with a durable finish
- Mounts direct-to-studwall, mounting flange hidden by drywall
- Three panel wall system with tongue and groove connection between back and side walls to create a leak-resistant seam.
- Ideal for new or remodel projects...fits most standard 5 ft. bathtubs
- Smooth, semi-gloss surface finish resists scuffs & scratching
- Mold & mildew resistant – easy to clean

Code Accepted

TOPAZ™ and bathtub walls meet or exceed performance requirements

- American Society of Testing & Materials (ASTM) D 635, E-84 and E-162
- American National Standards Institute (ANSI) Specification Z 124-2011
- Inhalation Toxicity Test – to evaluate inhalation health hazard with combustible products
- CAN/ULC S102-07 Burn and Smoke Test

Design Features

Self-aligning side panels with tongue-and-groove seams



Reverse side of center panel has clips for securing to bathtub



1 1/4" flanges fasten direct-to-studwalls with screws

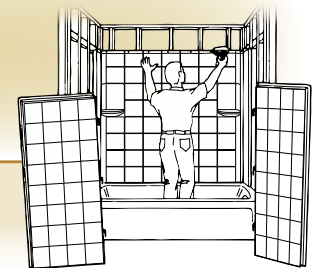


1. Fasten center panel direct-to-studwall.

2. Drill holes in side panel for plumbing fixtures.

3. Self-align sides with center panel, fasten direct-to-studwalls.

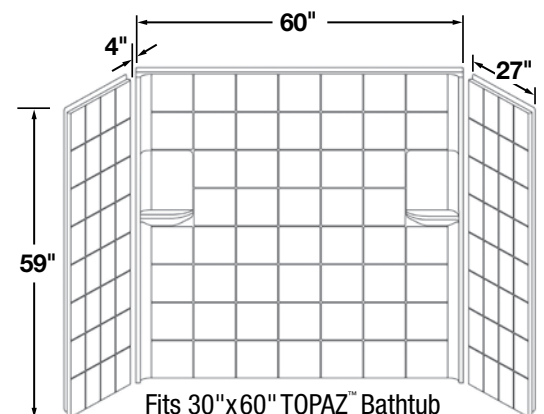
4. Conceal mounting flanges with drywall.



Model	Color
670WHT	White

Specifications

General: Furnish and install as shown on plans, 670 TOPAZ™ bathtub walls as manufactured by E.L. Mustee & Sons, Inc. shall be semi-gloss, three-piece wall. Panels are molded fiberglass using matched metal molds under extreme heat and pressure with a uniform thickness of 125 mils and mount direct-to-studwalls. Includes center panel with molded-in shelf and two side panels. Self-aligning panels using a tongue-and-groove connection. Shall meet ANSI Specification Z 124-2011. Color: White. Install in compliance with local codes.





T6030R/L TOPAZ™ Premium Fiberglass Bathtubs



TOPAZ™ premium fiberglass bathtubs bring together classic design, exceptional features, premium construction and legendary E.L. Mustee & Sons quality. These popular 30" x 60" bathtubs feature the latest thinking in bathtub design & construction innovations.



TOPAZ™ Premium bathtubs...it's where your bathroom design takes a dramatic turn toward elegance.

Features

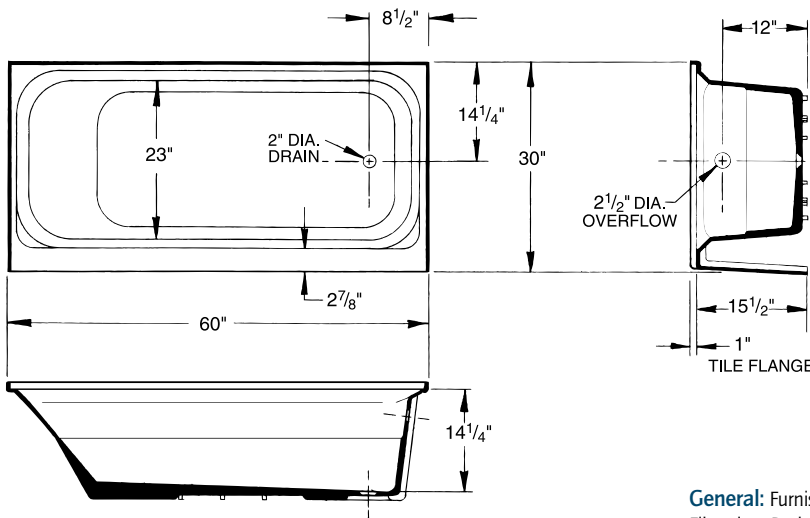
- Precision molded from Mustee's premium Varistone fiberglass
- Apron supported by 2 molded brackets
- Structural bottom and sides to prevent sagging
- Contoured back with a 40° lumbar slope for comfort
- Proprietary finish creates a deep, long lasting shine and scratch-resistant surface
- Slip-resistant bottom surface
- One piece molded, with matched metal molds
- Fits standard 30"x 60" alcove
- Available right hand & left hand with an 8 1/2" x 14 1/4" drain offset
- Suitable for use with all popular finished wall treatments
- Mold & mildew resistant—easy to clean

Code Accepted

TOPAZ™ and DURAWALL™ bathtub walls meet or exceed performance requirements

- American Society of Testing & Materials (ASTM)  D 635, E-84 and E-162
- American National Standards Institute (ANSI) Specification Z124-2011 
- Inhalation Toxicity Test – to evaluate inhalation health hazard with combustible products
- CAN/ULC S102-07 Burn and Smoke Test

Specifications



Model	Color	Description
T6030L	White	30" x 60" Bathtub, Left hand drain
T6030LBN	Bone	30" x 60" Bathtub, Left hand drain
T6030LBT	Biscuit	30" x 60" Bathtub, Left hand drain
T6030R	White	30" x 60" Bathtub, Right hand drain
T6030RBN	Bone	30" x 60" Bathtub, Right hand drain
T6030RBT	Biscuit	30" x 60" Bathtub, Right hand drain

General: Furnish and install as shown on plans, E.L. Mustee & Sons, Inc. TOPAZ™ Fiberglass Bathtub 30"x 60" right or left-handed Model _____. Construction shall be molded, reinforced fiberglass using matched metal molds under extreme heat and pressure. Shall meet ANSI Specification Z 124-2011. Color ____ White, Bone, Biscuit.

