

# PARTS LIST

MODEL: 63.600A • SERVICE FAUCET



<b>PARTS LIST</b>		
<b>ITEM</b>	<b>PART NO.</b>	<b>DESCRIPTION</b>
1	63.601	MAIN BODY ASSEMBLY consisting of: Body, Vacuum Breaker Housing and Spout (3/4" Hose End)
2	63.602	VACUUM BREAKER ASSEMBLY consisting of: Diaphragm, O-Ring, V.B. Fitting, Bell Cover and Cover Screw
3	63.603	HANDLE/STEM ASSEMBLY consisting of: Re-Nu Seat, Stem w/Washer & Mtg. Screw, Fiber Washer, Stem Nut, Flange Nut, Handle, Mtg. Screw and Hot & Cold Button Inserts
4	63.604	SHUT/OFF ASSEMBLY consisting of: Flange Nut, Brass Washer, Stem w/Washer, and Mtg. Screw
5	63.605	"ECCENTRIC" INLET/FLANGE ASSEMBLY consisting of: 1/2" Brass Nipple, Cover Flange, Eccentric and Sealing Washer
6	63.606	STABILIZER ASSEMBLY consisting of: Wall Mtg. Bracket, Internal Threaded Yoke (2), 5/16" Dia. x 13/16" Lg. Roll Pin and Adjusting Rod
7	63.607	ROLL PIN consisting of: 5/16" Dia. x 13/16" Lg.

**E.L. MUSTEE & SONS, INC.**

5431 West 164th Street • Cleveland, Ohio 44142

SI-130 (1•04)

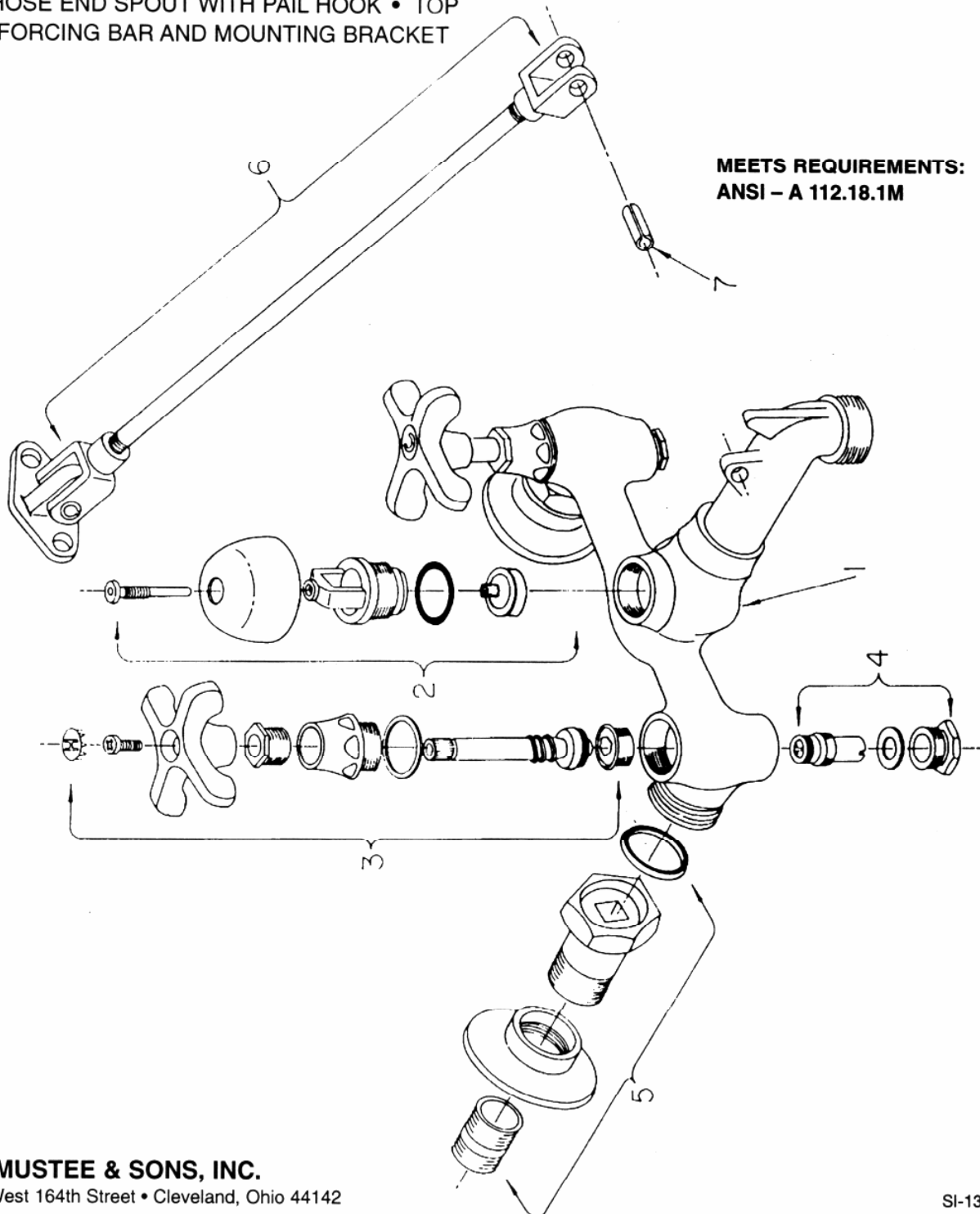
# PARTS ILLUSTRATION

## MODEL: 63.600A • SERVICE FAUCET



### SPECIFICATIONS

CHROME PLATED BRASS SERVICE SINK FAUCET •  
1/2" PIPE/ECCENTRIC INLETS • 8" CENTERS •  
RE-NEWABLE BRASS SEATS • VACCUUM BREAKER —  
INTEGRAL STOPS • CHROME PLATED (H & C) HANDLES •  
3/4" HOSE END SPOUT WITH PAIL HOOK • TOP  
REINFORCING BAR AND MOUNTING BRACKET



**E.L. MUSTEE & SONS, INC.**

5431 West 164th Street • Cleveland, Ohio 44142

SI-130 (1•04)