

MUSTEE DURAWALL®

INSTALLATION INSTRUCTIONS MODEL 56

5 PC. BATHTUB WALLS

5. Clean any excess adhesive – immediately with mineral spirits – then wash area with a soap water solution.
6. Wait approximately 12 hours before applying caulking. Remember to caulk around faucet spout and handle hole(s). Follow caulking instructions for clean up of excess caulk.
7. Replace faucet spout and handle(s), turn on water supply to bathtub alcove. Wait 24 hours before using tub or shower.

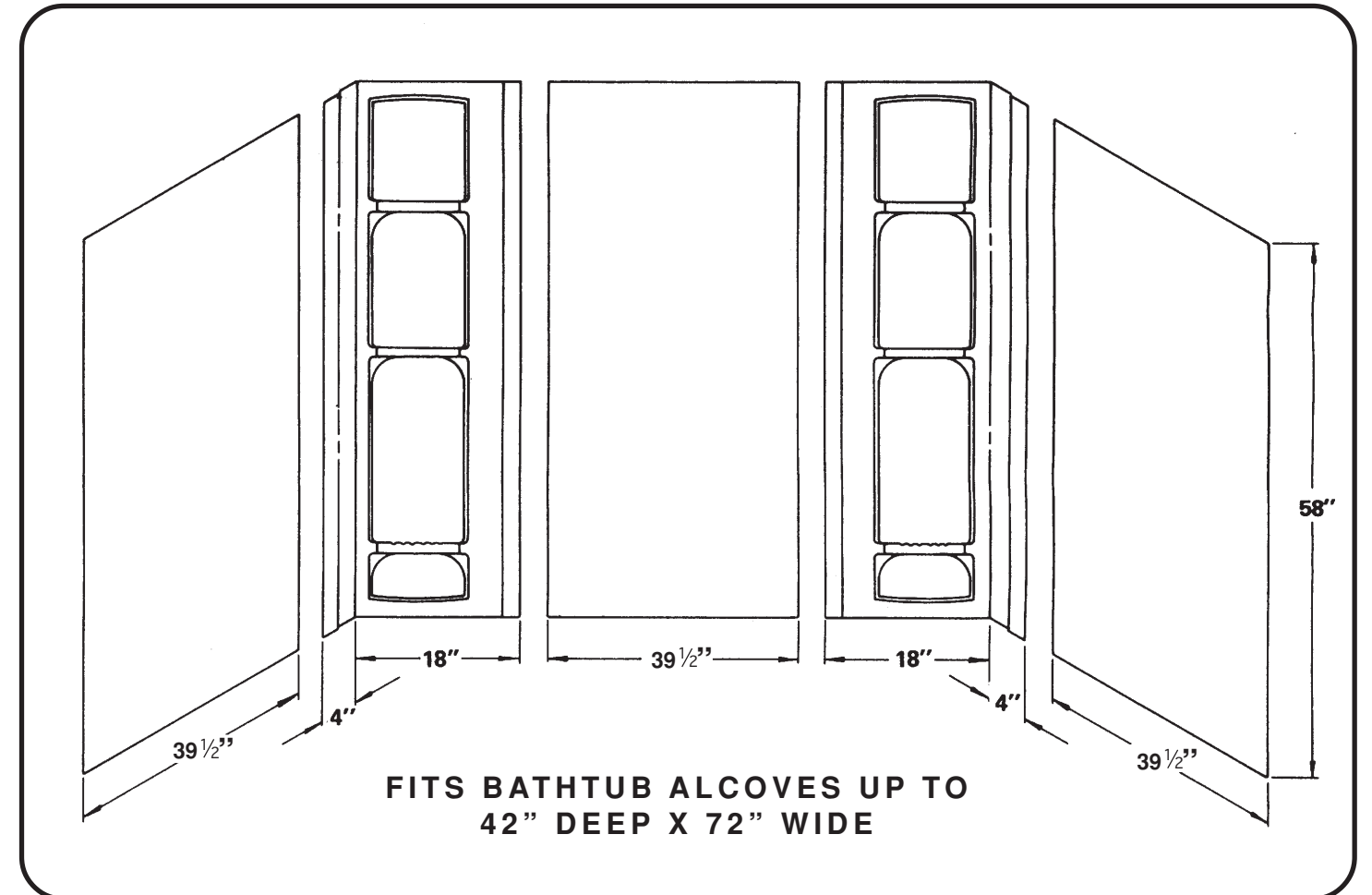
CARE AND CLEANING

The surface of your Durawall® Bathtub Wall may be cleaned with a mild soap solution in warm water using a soft cloth. For stubborn stains use “Soft -Scrub” by Clorox or Lysol “Tub & Tile Cleaner” or a powdered detergent such as “Spic-n-Span”. Never use abrasive scouring powder or steel wool pads as they will scratch the surface. A periodic coating of a silicone based marine polish will help retain the fine finish.

MUSTEE DURAWALL®

INSTALLATION INSTRUCTIONS MODEL 56

5 PC. BATHTUB WALLS



TOOLS AND MATERIALS NEEDED:

- Electric or Hand Drill
- Tape Measure
- Razor Knife
- Adhesive*
- Hole Saw
- Level (24" Min.)
- Masking Tape (2" wide)
- Caulking Gun
- Grease Pencil
- Mineral Spirits
- Caulking
- Adjustable Wrench
- Screwdrivers (Std. & Phillips)

*Recommend LIQUID NAILS® for TUB SURROUNDS & SHOWER WALLS (LN-915)

NOTICE:

We recommend that tub/shower compartments be equipped with support Grab Bars that comply with ANSI-117.1 - 1986 requirements. Grab Bars must be anchored to structural support behind panels. Do Not rely on panels only for grab bar support.

PREPARATION: We do not recommend installing the Durawall® Bathtub Wall Panels over any existing tile surfaces.

The Durawall® Bathtub Wall may be installed over drywall, plaster, painted walls, plywood, or any solid wall- not open studs. Wall surfaces must be clean, dry and free of grease, dust and loose or flakey paint or plaster. Shiny smooth surfaces should be sanded or scratched to insure a positive bond.

E.L. MUSTEE & SONS, INC.

5431 West 164th Street • Brook Park, Ohio 44142

SI-180 (9 •06)

E.L. MUSTEE & SONS, INC.

5431 West 164th Street • Brook Park, Ohio 44142

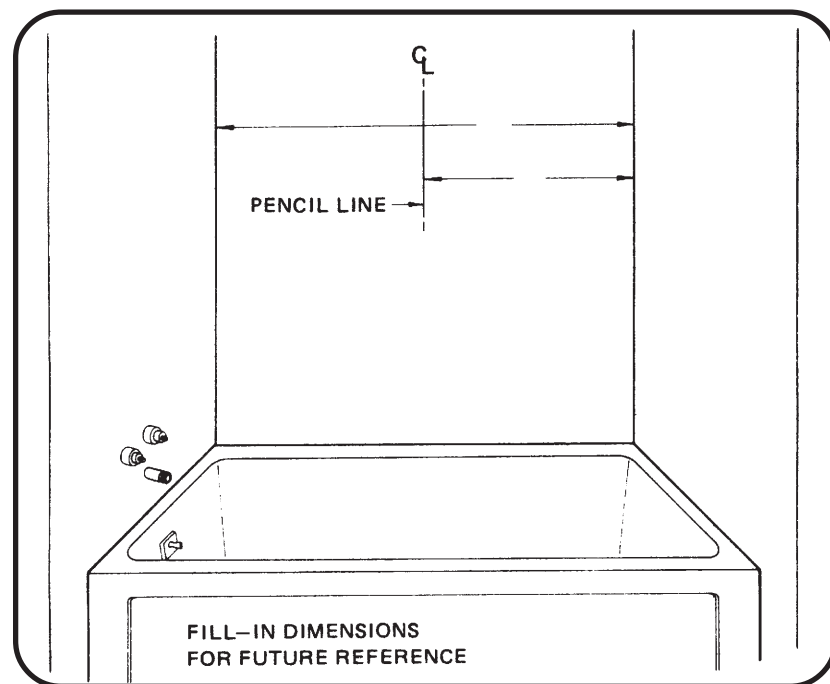
SI-180 (9•06)

INSTALLATION:

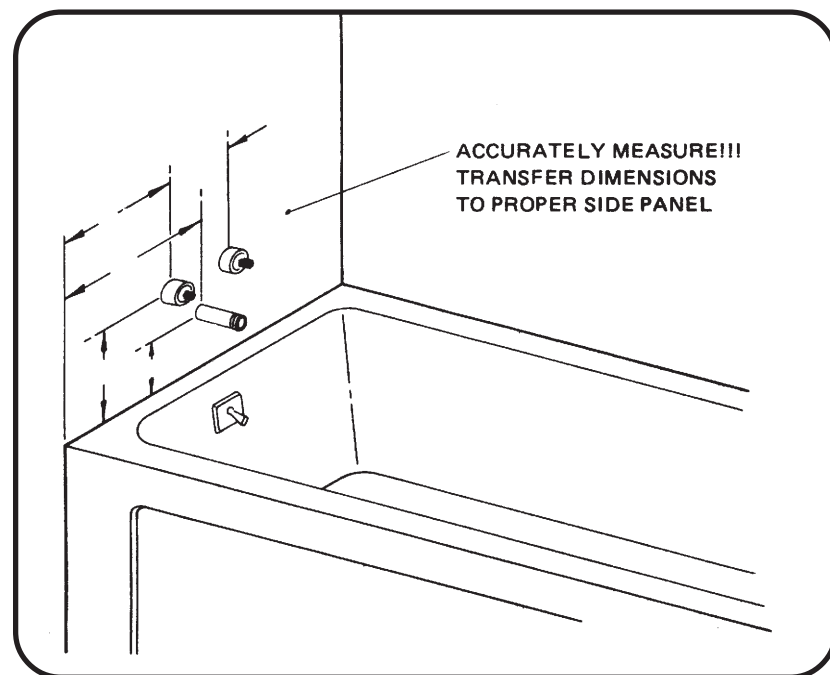
Read instructions thoroughly before attempting installation. Package should be stored at room temperature (68°F-min.) for at least 6 hours prior to installation. Turn off water supply to bathtub — Remove existing control valve handle(s) cover plates and filler spout, if shower head is mounted less than 58" from top of bathtub — it must be removed.

NOTE: **Center Panel** must be installed first — this requires measuring the bathtub backwall to establish the center, then positioning panel accordingly. **Corner Panels** overlap the **center and side panels**. Trial fit all five panels before applying adhesive.

1. Measure bathtub alcove to find center of backwall. Scribe a light grease pencil line at this point (at least 59" above top of bathtub). Remove any objects that protrude into bathtub alcove area below 59" such as soap dishes or towel bars. Measure and lightly mark the center of the top edge of one of the flat panels—this will become the center panel.



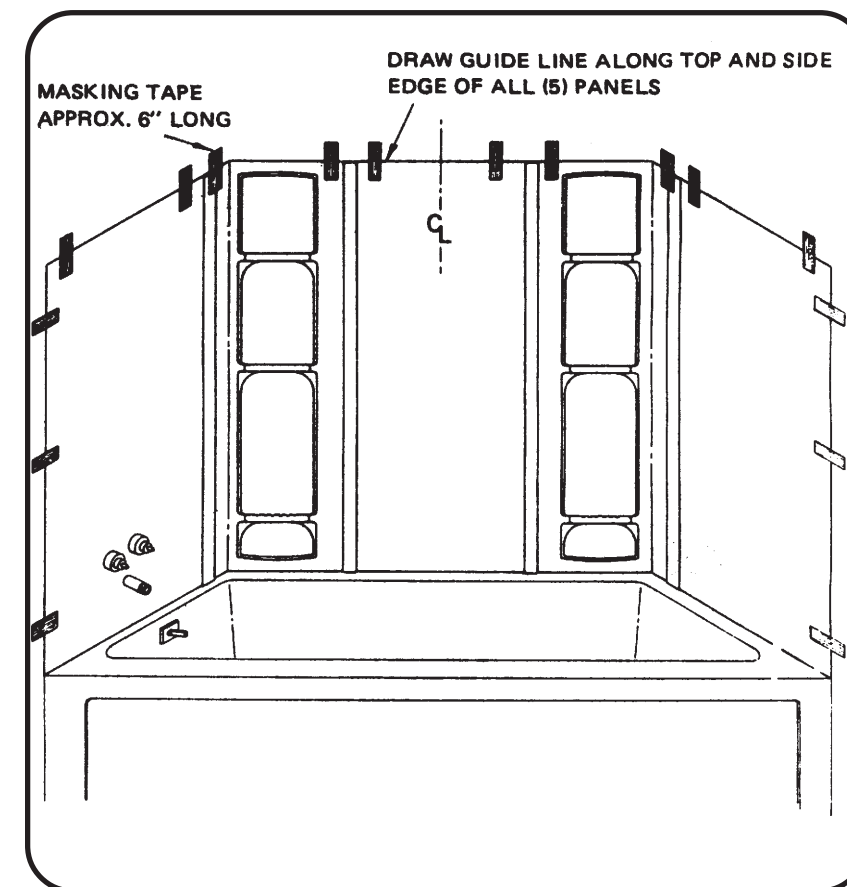
2. Accurately measure tub spout and handle(s) hole location on alcove side wall and transfer dimensions to one of the remaining flat panels. You may want to make a template (use shipping carton) to check hole layout before you cut holes into side panel. After you have double checked your measurements, using the proper size drill or hole saw, cut out holes for outlets.



2

TRIAL FIT • NO ADHESIVE

3. Place Center Panel against backwall, resting bottom edge on bathtub rim. Align center lines, using masking tape—temporarily tape center panel in place. Position drilled side panel over tub spout and handle(s), be sure to align front edge with front edge of bathtub, temporarily tape in place. Temporarily tape remaining side panel in place, align front edge of side panel with front edge of bathtub. Temporarily tape formed corner panels in place. Check panel overlap (should not exceed 1 3/4") and trim flat panels if necessary — do not trim formed corner panels. With all (5) panels in place draw a light guide line along top and side edges. These will be your reference lines for permanently installing panels. Remove panels from alcove. Caution: Do not remove center line mark from center panel.



PERMANENT INSTALLATION:

4. Apply a 1/8" dia. bead of adhesive to the back side of the **Center Panel** using a random 'zig-zag' pattern. Carefully position panel on backwall of alcove, align previously marked centerlines and top edge guide lines. Press panel in place, working from top edge to bottom. 'Vent' panel following procedure described on adhesive cartridge before proceeding. Install drilled side panel next, be sure to align front and top edge guide line. Follow the same procedure for the remaining side wall.

FORMED CORNERS

Align top edge guide lines, press panel in place, working from top edge to bottom. Follow the same procedure for the remaining corner panel.

3